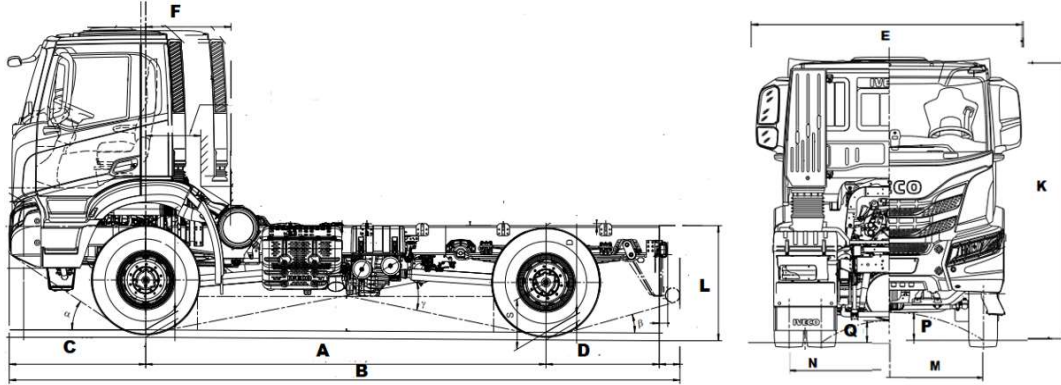


AT-AD 190T43 WH Euro III

Rigid 4x4



WEIGHTS (kg.)	G.V.W.*	G.C.W.*	Front axle	Rear axle
Design weights (std.)	20.500	44.000	8.000	13.000
Design weights (opt.)	20.500	60.000	7.500 - 8.500 - 9.000	9.000 - 13.000
* In according with markets and homologations				
Weights 8.500 or 9.000 with 13.000 only with tires 20477 or 20885				
Weights 9.000 with 9.000 only with tires 20115-20168-20318-20477-20795-20885				
Weights 8.000 with 13.000 only with tires 20081-20477-20795- 20885				
Weight 7.500 not available with tires 20115-20168-20318-20780				

KERBWEIGHTS (kg.) cab / wb.	A.D	3.800	4.200	4.500
Front axle		5.341	5.418	5.427
Rear axle		2.487	2.436	2.519
Total		7.828	7.854	7.946
PAYLOAD (kg.) @ G.C.W. 20t		12.672	12.646	12.554

DIMENSIONS (mm)		3.800	4.200	4.500
A	Wheelbase	3.800	4.200	4.500
B	Overall length (over bumpers)	6.672	7.077	7.932
C	Front overhang	1.440	1.440	1.440
D	Rear overhang	1.195	1.195	1.780
E	Cab width	2.550	2.550	2.550
F	Cab gap	AD	580	580
		AT	N/A	900
K	Cab height (unladen)*	3.230	3.228	3.228
L	Frame height at rear frame end	1.207	1.207	1.211
	Frame thickness	7,7	7,7	7,7
	Turning circle (kerb to kerb)	17.200	18.400	19.300
	Turning circle (wall to wall)	18.800	20.000	20.900
M	Front track	1.981	1.981	1.981
N	Rear track	1.827	1.827	1.827
P	Ground clearance (front)	371	371	371
Q	Ground clearance (rear)	311	311	311
* Low roof standard				

TIRES & WHEELS	Tire code	Mission	Tire dimensions		Wheel dimensions	
			Front	Rear	Front	Rear
Standard	20081	B	13 R 22,5	13 R 22,5	22,5x9,00	
Option	20216-20497	C/B	12 R 20	12 R 20	20 x 8,5	
Option	20115-20318	C	395/85 R 20	395/85 R 20	20 x 10	
Option	20168-20780	C/E	14 R 20	14 R 20	20 x 10	
Option	20477	C/E	395/85 R 20	525/65 R 20	20 x 10	
Option	20790-20795	A/B	315/80 R 22,5	315/80 R 22,5	22,5x9,00	
Option	20885	B	385/65 R 22,5	315/80 R 22,5	22,5x11,75	22,5x9,00
Tyre mission code: B = regional; C = all use; D = mix/off road						

NOTE: Weights are to standard specification and include water, full fuel tank ,oils, tool box, jack and 75 kg. driver. Kerb weights are subject to a manufacturing tolerance of +/- 5%.

IVECO

T-WAY

AT-AD 190T43 WH Euro III

ENGINE	Iveco Cursor 13 F3HGE611G
Turbocharger	Waste gate
Cylinders in line	6
Bore (mm)	135
Stroke (mm)	150
Capacity (litres)	12,9
Max power (HP/kW)	430/316
@ rpm	1900
Max torque (Nm/mKg)	2100
@ rpm	900
Engine brake power	306 kw
Cooling fan	Electro-magnetic
Fuel system	Common rail.high pressure
Speed limiter	85kmh
Cruise control	Programmable with limitation

GEARBOXES

	Mechanical	Hi-tronix
Ratios	16S 2220 TO	16TX 2240 TO
1st	13,80	14,68
2nd	11,54	12,05
3rd	9,49	9,92
4th	7,93	8,14
5th	6,53	6,78
6th	5,46	5,56
7th	4,57	4,57
8th	3,82	3,75
9th	3,02	3,22
10th	2,53	2,64
11th	2,08	2,17
12th	1,74	1,78
13th	1,43	1,49
14th	1,20	1,22
15th	1,00	1,00
16th	0,84	0,82
Rev 1	12,92	14,14
Rev 2	10,80	11,61

PERFORMANCE

(with standard tyres)

Type: ZF 16 TX 2240 TO

Axle ratios available	4,67	4,227	5,01	5,56	6,096
Geared speed (km/h)	N/A	N/A	N/A	N/A	N/A
Gradeability % @ 44 t G.C.W.	N/A	N/A	N/A	N/A	N/A

Type: ZF 16 S 2220 TO

Axle ratios available	4,67	4,227	5,01	5,56	6,096
Geared speed (km/h)	N/A	N/A	N/A	N/A	N/A
Gradeability % @ 44 t G.C.W.	N/A	N/A	N/A	N/A	N/A

CLUTCH

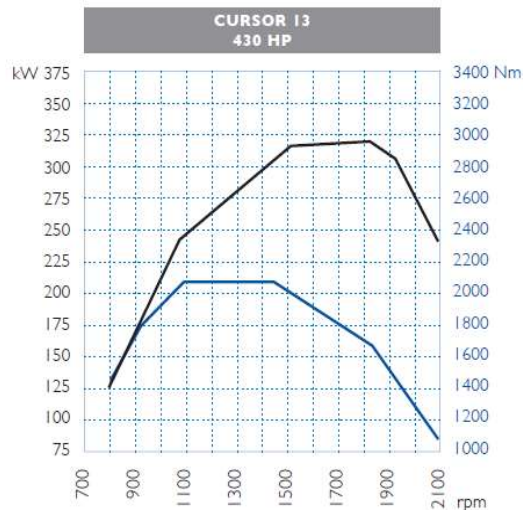
Type	Single dry plate
Diameter (mm)	(17") 430 mm

BRAKES

Type	2 independent pneumatic circuits
Service	E.B.S + B.A.S
Front and rear axle	Duo-duplex drums:410 mm
Friction area	Front: 2884 cm2 - Rear 3220cm2
Parking	Mechanical with spring cylinder, rear.
Emergency	Combined with parking brake.
Air reservoir	2 x 20 + 1 x 30 litres, steel
Air compressor	630cc – Bl-cylindre
Heated air dryer	Air Processing Unit

TRANSFER BOX

Ratio	TC 2200, Gb independent, carter in aluminium, On road: 1/1 – Off Road: 1/1,6.
Inter axle split	Front 20% - Rear 80%



ELECTRICS

Tension	24v negative earth return
Alternator	28v, 90A
Starter	24v, 5.5kW
Batteries	2 x 12v, 170Ah
Circuits protected	By fuse
System	Multiplex - CAN line data bus

SUSPENSIONS

Front	Parabolic leaf
Rear	Semielliptic
Anti roll bar	Front and rear.
Shock absorbers	Front and rear.

STEERING

Type ZF 8098	Power assisted
--------------	----------------

AXLES

Front	Iveco 5985. Hub reduction
Rear	Iveco 451391/DD.Hub reduction.

FUEL TANK

Type and capacity	390lt., aluminium with lockable fuel cap.
-------------------	---

CAB INTERIOR

Active Time

Fabric air suspended driver's seat with seat belt and headrest. Fabric passenger seat with seat belt and headrest. 1 bunk without net protection. Rear wall without windows. Manual air conditioning. Driver door sunblind. Radio and CB provision. Foamed steering wheel. Hill holder only with gearbox 16TX. Manual EMEA-APAC. Momo-tone reverse buzzer. Speedometer KMH/MPH. Expansion module and PTO pre-equipment. 2 keys with immobilizer. Jacking equipment. Tire inflation hose. Warning triangle.

Active Day

As above without bunk & under storage, with rear bulk head storage & writing pad.

CAB EXTERIOR

Active Time

Forward control cab. Galvanised pressed steel construction, with SMC for vulnerable parts. Mechanical cab suspension. Manual cab tilt to 60 deg. Tinted electric door windows and tinted laminated screen. Manual rear-view mirrors heated plus kerb and wideangle mirrors, according to 2003/97/EC. Blind rear cab panel. External stowage for tools. New front grid.

Active Day

As above without external stowage.

CHASSIS

Ladder construction. Pressed steel side members and riveted and bolted cross members. Length x width mm 304,4x80

NOTE: The information in this literature is intended to be of a general nature only. Iveco reserves the right to modify or change specification at any time.